

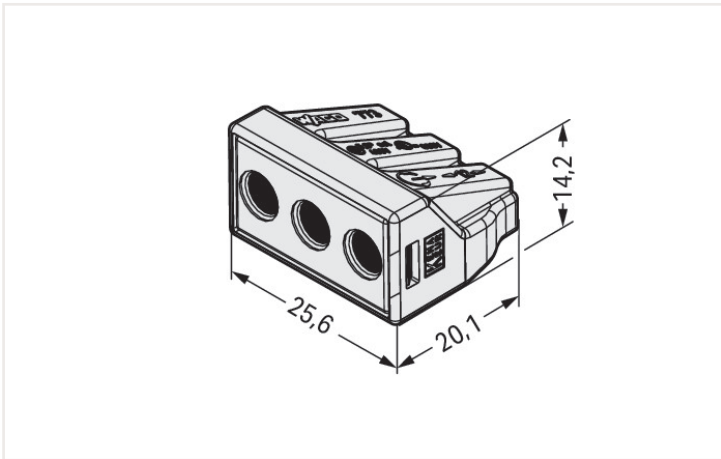
|: 773-493

PUSH WIRE® connector for junction boxes; for solid and stranded conductors; for Ex applications; max. 2.5 mm<sup>2</sup>; 3-conductor; light gray housing; light gray cover; Surrounding air temperature: max 60°C; 6,00 mm<sup>2</sup>; light gray

<https://www.wago.com/773-493>



: ■ light gray



Dimensions in mm

### Notes

Safety information 2

To be used only in conjunction with a mounting carrier (773-331).

### Electrical data

#### Ratings per IEC/EN

Ratings per EN 60079

#### Ex information

Rated voltage EN (Ex e II)	550 V
Note (rated voltage)	275 V at a distance
Rated current (Ex e II)	42 A

## Connection data

Total number of connection points	3
Total number of potentials	1

### Connection 1

Connection technology	PUSH WIRE®
Actuation type	Push-in
Connectable conductor materials	Copper Aluminum

Connectable conductor materials (note) **Terminating Aluminum Conductors**  
WAGO spring clamp terminal blocks are suitable for solid aluminum conductors up to 4 mm<sup>2</sup>/12 AWG if WAGO "Alu-Plus" Contact Paste [249-130](#) is used for termination.

"Alu-Plus" Contact Paste Advantages:

- Automatically destroys the oxide film during clamping.
- Prevents fresh oxidation at the clamping point.
- Prevents electrolytic corrosion between aluminum and copper conductors (in the same terminal block).
- Provides long-term protection against corrosion.

For spring clamp connections with PUSH WIRE® connection technology, **WAGO recommends that the aluminum conductor first be cleaned** and then immediately inserted into the clamping unit filled with "Alu-Plus" contact paste.

It is also possible to apply WAGO "Alu-Plus" **additionally** on the whole surface of the aluminum conductor before termination.

Please note that the nominal currents must be adapted to the reduced conductivity of the aluminum conductors::  
2.5 mm<sup>2</sup> = 16 A  
4 mm<sup>2</sup> = 22 A

Solid conductor	2.5 ... 6 mm <sup>2</sup> / 14 ... 10 AWG
Strip length	12 ... 15 mm / 0.47 ... 0.59 inches
Wiring direction	Side-entry wiring

## Physical data

Width	25.6 mm / 1.008 inches
Height	14.2 mm / 0.559 inches
Depth	20.1 mm / 0.791 inches

## Material data

Note (material data)	<a href="#">Information on material data can be found here</a>
Color	light gray
Cover color	light gray
Flammability class per UL94	V2
Fire load	0.113 MJ
Weight	5.8 g

### Environmental requirements

Ambient temperature (operation)	+60 °C
Continuous operating temperature	105 °C

### Commercial data

Product Group	7 (Push Wire Conn.)
eCl@ss 10.0	27-14-11-04
eCl@ss 9.0	27-14-11-04
ETIM 8.0	EC000446
ETIM 7.0	EC000446
PU (SPU)	500 (50) Stück
Packaging type	Box
Country of origin VKOrg Germany	CN
GTIN	4055143287593
Customs tariff number VKOrg Germany	85369010000

### Approvals and certificates

#### Ex-Approvals



ATEX	EN 60079	DEMKO 03 ATEX 131845U
UL International Demko A/ S		(II 2 G Ex eII C Gb)

#### UL-Approvals



UL	UL 486C	E69654
UL International Germany GmbH		